
IVIE Enterprises
www.ivie-ent.com Ph:(918)254-5161 or (888)262-5161 Fax:(918)250-4807



ENCORE
S2426 and L2426
Section II
Parts and Service Manual

(70200A)

HOW TO CORRECT PROBLEMS IN THE MACHINE

PROBLEM	CAUSE	ACTION
There is no solution flow.	<p>The solution tank is empty.</p> <p>The solution valve is closed.</p> <p>There is an obstruction in the solution hose or filter.</p> <p>The solution valve or electric wiring is damaged.</p> <p>The solution module is defective.</p>	<p>Fill the solution tank.</p> <p>Open the solution valve.</p> <p>Remove the obstruction from the hose or filter.</p> <p>Repair or replace the valve or the electric wiring.</p> <p>Replace solution module</p>
The solution flow does not stop.	<p>The solution valve is open.</p> <p>The solution valve or wiring is damaged.</p> <p>The solution valve is dirty</p> <p>There is a damaged seat and washer in the solution valve.</p> <p>The solution module is defective.</p>	<p>Close or Clean the solution valve.</p> <p>Repair or replace the valve and the wiring.</p> <p>Clean the solution valve.</p> <p>Replace the seat and washer.</p> <p>Replace solution module.</p>
The machine does not remove all the water from the floor.	<p>The squeegee is up.</p> <p>The squeegee tilt is not correct.</p> <p>The recovery tank is full.</p> <p>The screen filter is dirty.</p> <p>There is an obstruction or damage in the squeegee, squeegee hose or standpipe.</p> <p>The vacuum motor is not running.</p> <p>The squeegee hose is disconnected, or damaged</p> <p>The squeegee blade is damaged, worn, or incorrectly installed.</p> <p>The gaskets on the cover of the recovery tank are damaged.</p>	<p>Lower the squeegee.</p> <p>To adjust See Figure 11, page 23.</p> <p>Drain the recovery tank.</p> <p>Clean the screen filter.</p> <p>Remove the obstruction or repair the damage.</p> <p>Check for tripped breaker. Have an authorized service person make repairs.</p> <p>Check and connect hose.</p> <p>Turn or replace the squeegee blade. Correctly install the squeegee blade.</p> <p>Replace the gaskets.</p>
The batteries do not give the normal running time.	<p>The battery terminals are dirty or damaged.</p> <p>The electrolyte level is too low.</p> <p>The batteries are not fully charged.</p> <p>The charger is damaged.</p> <p>The battery is defective.</p> <p>The batteries are disconnected.</p> <p>Brush is in heavy scrub setting.</p>	<p>Clean the terminals and connectors. Replace the damaged cables. Charge the batteries.</p> <p>Add distilled water to each cell and charge the batteries.</p> <p>Charge the batteries for a full 16 hour charge.</p> <p>Have an authorized service person repair the charger.</p> <p>Check voltage of each cell while discharging.</p> <p>Connect the batteries.</p> <p>Adjust Pressure.</p>

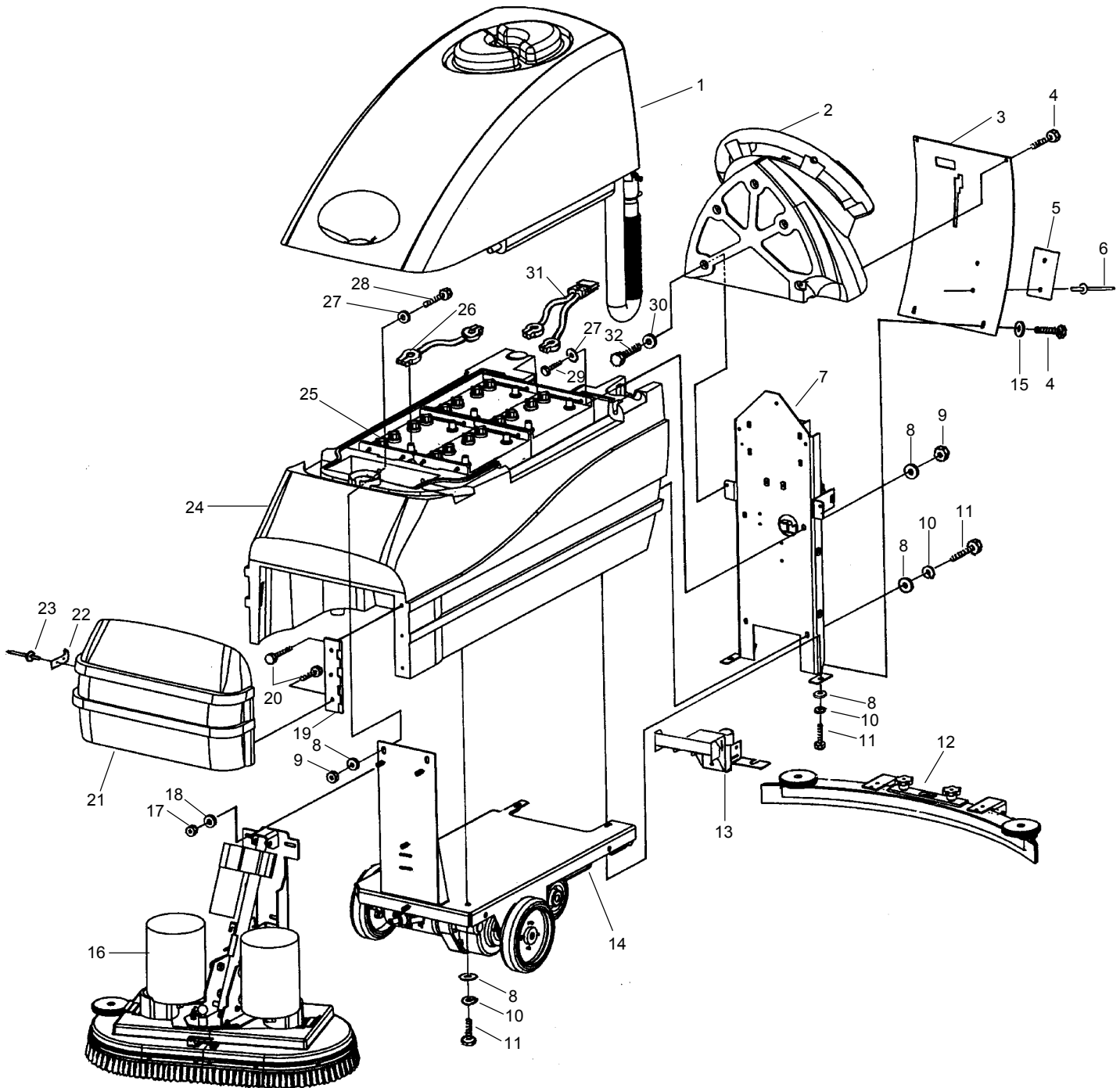
PROBLEM	CAUSE	ACTION
<p>The cleaning is not even.</p>	<p>The scrub brush or pad is worn.</p> <p>There is damage to the brush assembly, caster or the solution valve.</p> <p>The brush motor is not running</p> <p>The solution level is low.</p>	<p>Replace the scrub brush or pad.</p> <p>Have an authorized service person make the needed repairs.</p> <p>Check for tripped breaker. Reset. Check for loose connections.</p> <p>Fill the solution tank.</p> <p>NOTE: If the problem continues consult an authorized service person.</p>
<p>The machine does not run.</p>	<p>The machine loses power.</p> <p>Key or switch is off.</p> <p>Batteries are unplugged. Battery terminals are dirty.</p> <p>Batteries are discharged</p>	<p>Reset the circuit breaker.</p> <p>Turn key or switch on.</p> <p>Check the battery connections.</p> <p>Check battery gauge and recharge</p> <p>NOTE: If the problem continues consult an authorized service person.</p>

IVIE Enterprises

www.ivie-ent.com

Ph:(918)254-5161 or (888)262-5161 Fax:(918)250-4807

CLARKETECHNOLOGY
 Encore S2426/L2426
 Final Assembly Drawing 11/23/00



IVIE Enterprises

www.ivie-ent.com

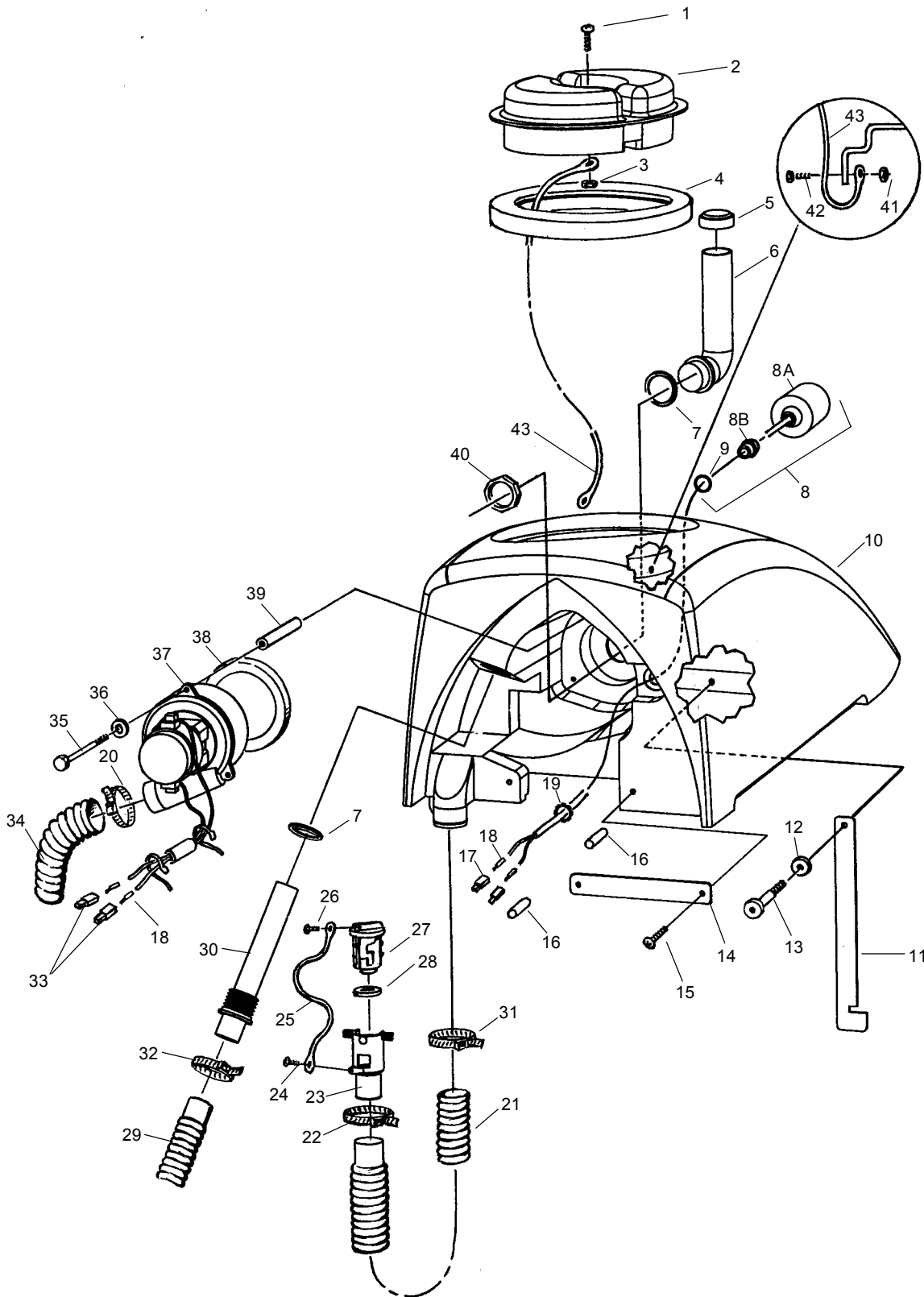
Ph:(918)254-5161 or (888)262-5161 Fax:(918)250-4807

CLARKE TECHNOLOGY
Encore S2426/L2426
Final Assembly Parts List 11/23/00

Ref. #	Part No.	Description	Qty "L"	Qty "S"
1	10062A	Assembly, Recovery Tank	1	1
2	10065A	Assembly, Control Panel "L"	1	-
	10066A	Assembly, Control Panel "S"	-	1
3	30064A	Rear Cover	1	1
4	80108A	Screw, 10-24 x 1/2 SS	4	4
5	70080A	Plate, Warning	1	1
6	83010A	Rivet, Pop 1/8	2	2
7	10064A	Assembly, Rear Panel "L"	1	-
	10067A	Assembly, Rear Panel "S"	-	1
8	980651	Washer, 5/16 Flat	11	11
9	920110	Nut, 5/16 -18 ESNA	4	4
10	980652	Washer, 5/16 Lock	7	7
11	85811A	Screw, 5/16 -18 x 3/4	7	7
12	10129A	Assembly, Squeegee 32"	1	1
13	10075A	Assembly, Squeegee Lift	1	1
14	10069A	Assembly, Traverse System "L"	1	-
	10070A	Assembly, Non-Traverse System "S"	-	1
15	980982	Washer #10	2	2
16	10071A	Assembly, Brush Head "L"	1	-
	10061A	Assembly, Brush Head "S"	-	1
17	81105A	Nut, 3/8-16 ESNA	4	4
18	87031A	Washer, 3/8 Flat SS	4	4
19	50965A	Hinge	1	1
20	85395A	Screw, 1/4-20 x 1/2 SS	6	6
21	30059A	Front Cover	1	1
22	50966A	Latch, Front Cover	Ref	Ref
23	930090	Rivet, 5/32 X 9/16	2	2
24	10063A	Assembly, Solution Tank	1	1
25*	Page 12	Battery		
	871334	Battery 12V, 195 AH (wet - UT Post)	-	2
	871335	Battery 12V, 195 AH (dry - UT Post)	-	2
	40136A	Battery 6V, 250 AH (wet - Stud Post)	4	4
	40137A	Battery 6V, 250 AH (dry - Stud Post)	4	4
	891384	Battery, 6V 330 AH (wet - UT Post)	4	4
	891385	Battery, 6V 330 AH (dry - UT Post)	4	4
26	41206A	Series Battery Cable (Taper Style)	3	3
	41217A	Series Battery Cable (Ring Style)	3	3
27	980205	Washer, 5/16 Fender	4	4
28	85734A	Screw, 5/16-18 x 2	2	2
29	85739A	Screw, 5/16-18 x 3 Hex	2	2
30	87026A	Washer, 1/4 flat SS	5	5
31	41211A	Battery, Cable (Taper Style)	1	1
	40174A	Battery, Cable (Ring Style)	1	1
32	85518A	Screw, 1/4-20 x 3/4	5	5
NI	10132A	Lit Kit	1	1
NI	17531A	Pad Driver Assembly	1	-
	10140A	Pad Driver Assembly	-	1
NI	40512A	Battery charger	1	1
NI	77092A	Label, Gases	1	1
NI	77093A	Label, Falling	1	1
NI	70226A	Label, Battery	1	1
NI	30070A	Accessory Bag	1	1
NI	10072A	Parking Brake Assembly "L"	1	-
NI	10073A	Parking Brake Assembly "S"	-	1

* See page 12 for installation.

CLARKETECHNOLOGY
 Encore S2426/L2426
 Recovery Tank Assembly Drawing 8/00
 Drawing #10062A



#40 Recommended Torque
 175 + or - 5 inch pounds

IVIE Enterprises

www.ivie-ent.com

Ph:(918)254-5161 or (888)262-5161 Fax:(918)250-4807

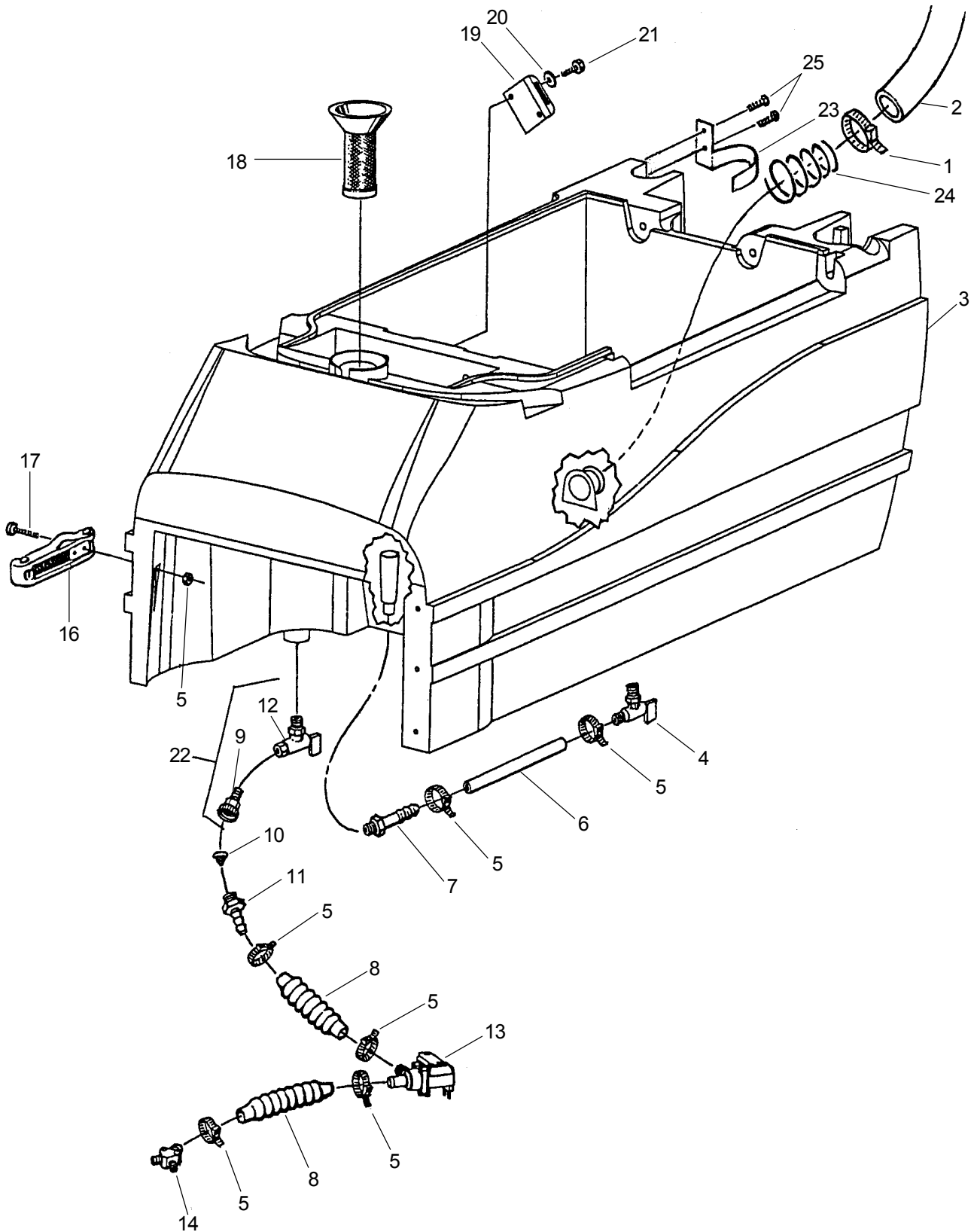
CLARKE TECHNOLOGY
Encore S2426/L2426
Recovery Tank Assembly Parts List 8/00

Ref. #	Part No.	Description	Qty
1	962798	Screw, 10-24 x .5	1
2	30057A	Lid	1
3	81110A	Nut, 10-24 SS	1
4	30065A	Gasket, Lid	1
5	58069A	Strainer	1
6	39338A	Stand Tube	1
7	837304	O-Ring	2
8	10660A	Switch Kit, (Includes 8A, 8B, 9)	1
8A	40002A	Switch (included in Item 8)	1
8B	56459A	Relief, Strain (included in Item 8A)	1
9	59877A	Seal, Washer	1
10	30061A	Tank, Recovery	1
11	60373A	Latch, Recovery Tank	1
12	87622A	Washer, Nylon 5/16 x 5/8 x 1/32	1
13	80043A	Screw, .25 x 20 x .25, Shoulder	1
14	60336A	Strap, Hose Retainer	1
15	85100A	Screw, 10-32 x 1/2 SS Xylan Coating	2
16	30068A	Hinge, Pin (included w/ item 10)	2
17	43402A	Housing, Connector(included in 8A)	2
18	41809A	Contact (included in 8A)	4
19	82100A	Nut, Strain Relief Lock	1
20	872010	Clamp, Hose	1
21	35165A	Hose, Drain	1
22	832002	Clamp, Hose	1
23	839401	Valve, Drain	1
24	962943	Screw, 8-18 x 1/2 PN	1
25	52206A	Chain	1
26	962987	Screw, 10-24 x 3/8 Pan	1
27	833901	Drain, Valve Handle	1
28	833407	Gasket, Drain Valve	1
29	51060A	Hose, Squeegee	1
30	830208	Squeegee Stand Tube	1
31	80110A	Hose Clamp	1
32	752020	Hose Clamp	1
33	43401A	Housing, Vac Motor Connector	2
34	674110	Hose	1
35	85728A	Screw, 1/4-20 x 4 Hex	3
36	87026A	Washer, 1/4 Flat	3
37	51049A	Motor, Vacuum (3-Stage)	1
	51050A	Motor, Vacuum, (2-Stage Option)	1
38	643418	Gasket	1
39	58533A	Spacer	3
40	920797	Nut	1
41	962666	Screw, 10-24 x 3/4	1
42	920296	Nut, 10-24 Elastic	1
43	38020A	Strap	1
NI	839410	Valve Asm. (includes 23, 24, 25, 26, 27, 28)	1
NI	70226A	Label, Battery Installation	1

IVIE Enterprises

www.ivie-ent.com Ph:(918)254-5161 or (888)262-5161 Fax:(918)250-4807

CLARKE TECHNOLOGY Encore S2426/L2426
Solution Tank Assembly Drawing 5/01
Drawing #10063A



IVIE Enterprises

www.ivie-ent.com

Ph:(918)254-5161 or (888)262-5161 Fax:(918)250-4807

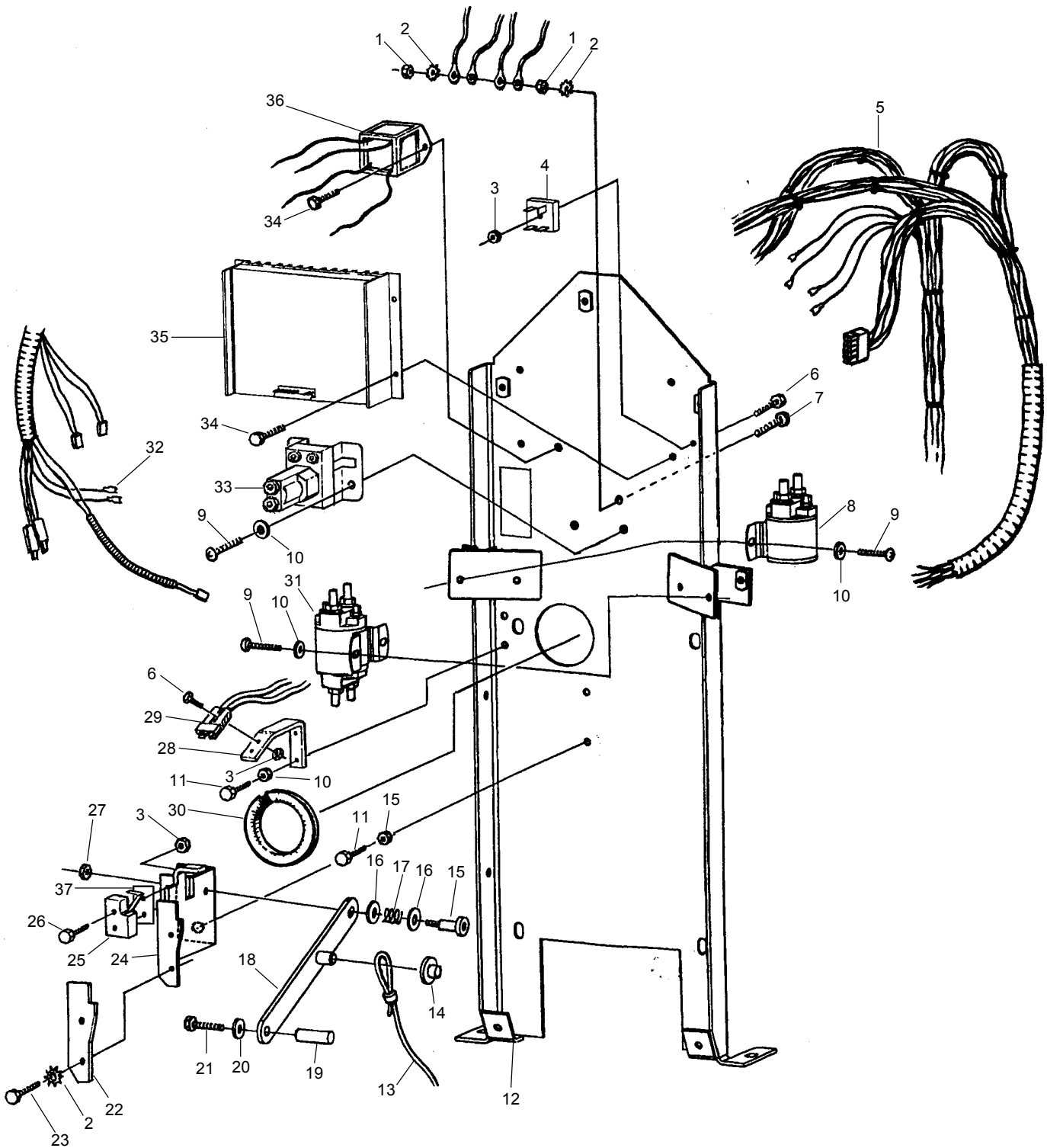
CLARKE TECHNOLOGY
Encore S2426/L2426
Solution Tank Assembly Parts List 5/01

Ref. #	Part No.	Description	Qty
1	872010	Clamp, Hose	1
2	50964A	Hose, Drain	1
3	30060A	Tank, Solution	1
4	59614A	Valve, Battery Drain	1
5	722030	Clamp, Hose	6
6	30453A	Hose, Clear Vinyl	1
7	820207	Adapter, Hose 3/8 MPT x 1/2 Hosebarb	1
8	30412A	Hose, Stretch	2
9	51205A	Adapter, Female	1
10	838517	Filter, Screen	1
11	830214	Adapter, Male, 3/4 Barb x GHT Male Thread	1
12	51204A	Valve, Solution	1
13	59789A	Valve, Solution	1
14	38014A	Splitter	1
15	81109A	Nut, 8-32 ESNA SS	2
16	50966A	Latch	1
17	80105A	Screw, 8-32 x 1 1/4 SS	2
18	50963A	Screen, Fill (with hose retention)	1
	51308A	Strainer (without hose retention)	1
19	69879A	Bracket, Latch	1
20	170892	Washer, Lock 1/4	2
21	170915	Screw, 1/4-20 x 3/4 SS Hex	2
22	51059A	Valve Assembly, Solution Shut-Off (incl. #9,12)	1
23	60480A	Bracket, Hose	1
24	51346A	Spring, Hose	1
25	80108A	Screw, 10-24 x 1/2	2
NI	30162A	Funnel (included w/Kit 10177A)	1
NI	10177A	Kit, Solution Fill (includes #18-51308A)(includes NI - 30162A)	1

IVIE Enterprises

www.ivie-ent.com Ph:(918)254-5161 or (888)262-5161 Fax:(918)250-4807

CLARKE TECHNOLOGY
Encore S2426/L2426
Rear Panel Assembly Drawing 8/00
Drawing #10064A (L)
Drawing #10067A (S)



IVIE Enterprises

www.ivie-ent.com

Ph:(918)254-5161 or (888)262-5161 Fax:(918)250-4807

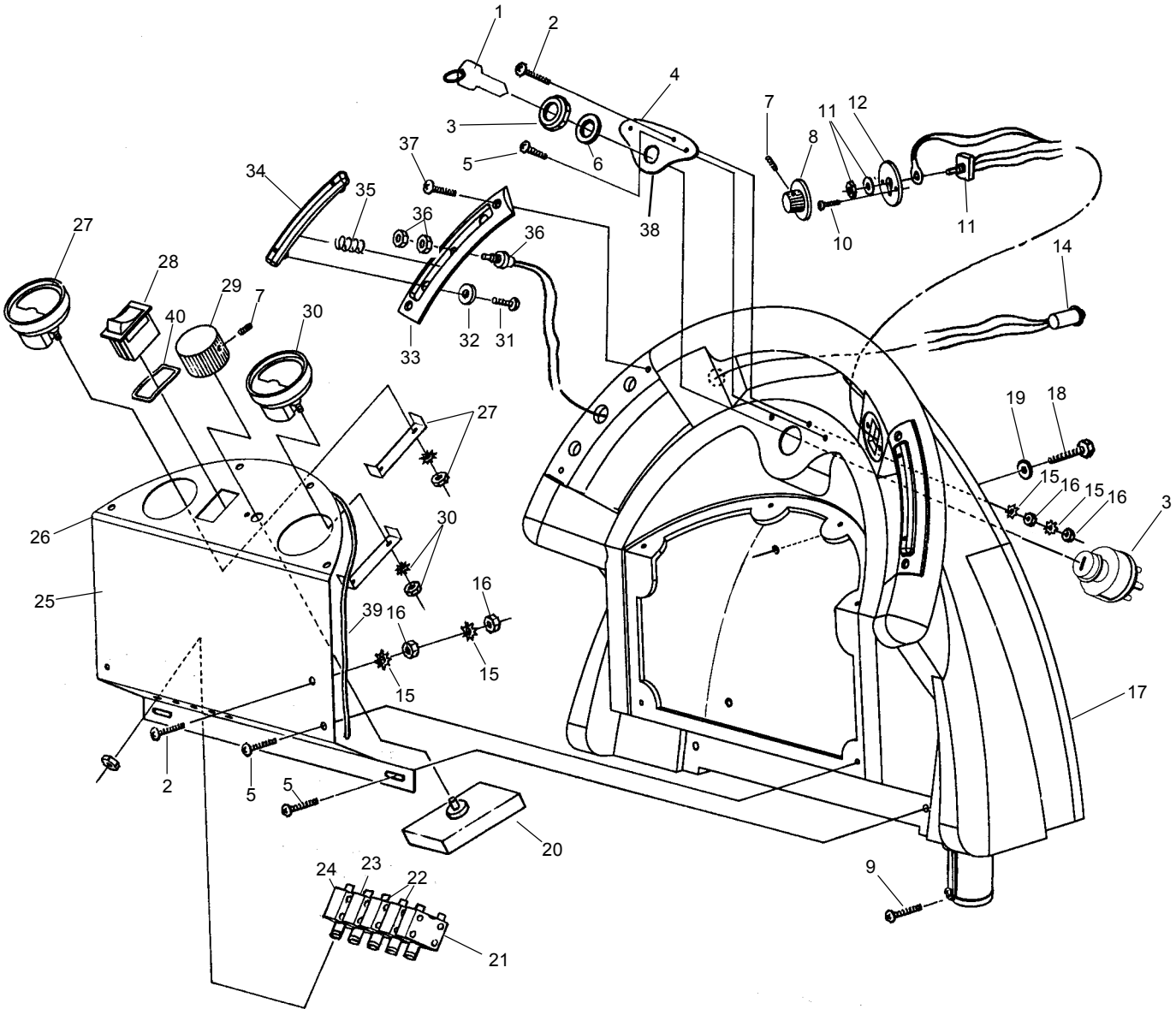
CLARKE TECHNOLOGY
Encore S2426/L2426
Rear Panel Assembly Parts List 5/01

Ref. #	Part No.	Description	Qty L	Qty S
1	920224	Nut, 10-32	2	-
2	980603	Washer, Starlock	4	2
3	920056	Nut, 6-32	5	4
4	46106A	Rectifier	1	-
5	40133A	Harness, Power "L"	1	-
	40134A	Harness, Power "S"	-	1
6	962212	Screw, 6-32 x 7/8	3	2
7	85383A	Screw, 10-32 x 3/4	1	-
8	41810A	Solenoid, Brush	1	1
9	85395A	Screw, 1/4-20 x 1/2	6	6
10	980614	Washer, Starlock, 1/4	10	10
11	85391A	Screw, 1/4-20 x 5/8	4	4
12	60261A	Panel, Rear Metal	1	1
13	60257A	Cable, Squeegee Lift	1	1
14	920346	Nut, Pal	1	1
15	80028A	Bolt, Shoulder, 5/16 x 1.0	1	1
16	980692	Washer, Flat 5/16 SS	2	2
17	438360	Spring	1	1
18	64901A	Lever, Squeegee Lift	1	1
19	64490A	Handle, Squeegee	1	1
20	980666	Washer, 3/8 Starlock	1	1
21	85389A	Screw, 3/8-16 x 5/8	1	1
22	68643A	Plate, Vacuum Wear	1	1
23	962968	Screw, 10-24 x 1/2	2	2
24	61260A	Plate, Squeegee Lift	1	1
25	47374A	Switch, Vacuum Lever	1	1
26	85601A	Screw, 6-32 x 1 1/4 PN	2	2
27	81217A	Nut, 1/4-20 x .218H Nylock	1	1
28	60264A	Bracket, Power Connector	1	1
29	41146A	Cable, Assembly Console	1	1
30	193951	Grommet, slotted, 8"	Ref	Ref
31	41811A	Solenoid, Main	1	-
	41810A	Solenoid, Main	-	1
32	40157A	Harness, Traverse	1	-
33	40169A	Solenoid, Vacuum	1	1
34	962798	Screw, 10-24 x 1/2	4	2
35	40132A	Control, Traverse	1	-
36	14097A	Low voltage Shutoff	-	1
37	30097A	Insulator, Mylar	1	1
NI	77093A	Label, Falling Parts	1	1
NI	77092A	Label, Gases	1	1
NI	47809A	3/8 Ring Terminal, 14-16	-	1
NI	911933	#10 Ring Terminal, 14-16	-	1
NI	40519A	Ring Terminal, 5/16	-	1

IVIE Enterprises

www.ivie-ent.com Ph:(918)254-5161 or (888)262-5161 Fax:(918)250-4807

CLARKE TECHNOLOGY Encore S2426/L2426
Control Panel Assembly Drawing 8/00
Drawing #10065A "L" and 10066A "S"



IVIE Enterprises

www.ivie-ent.com

Ph:(918)254-5161 or (888)262-5161 Fax:(918)250-4807

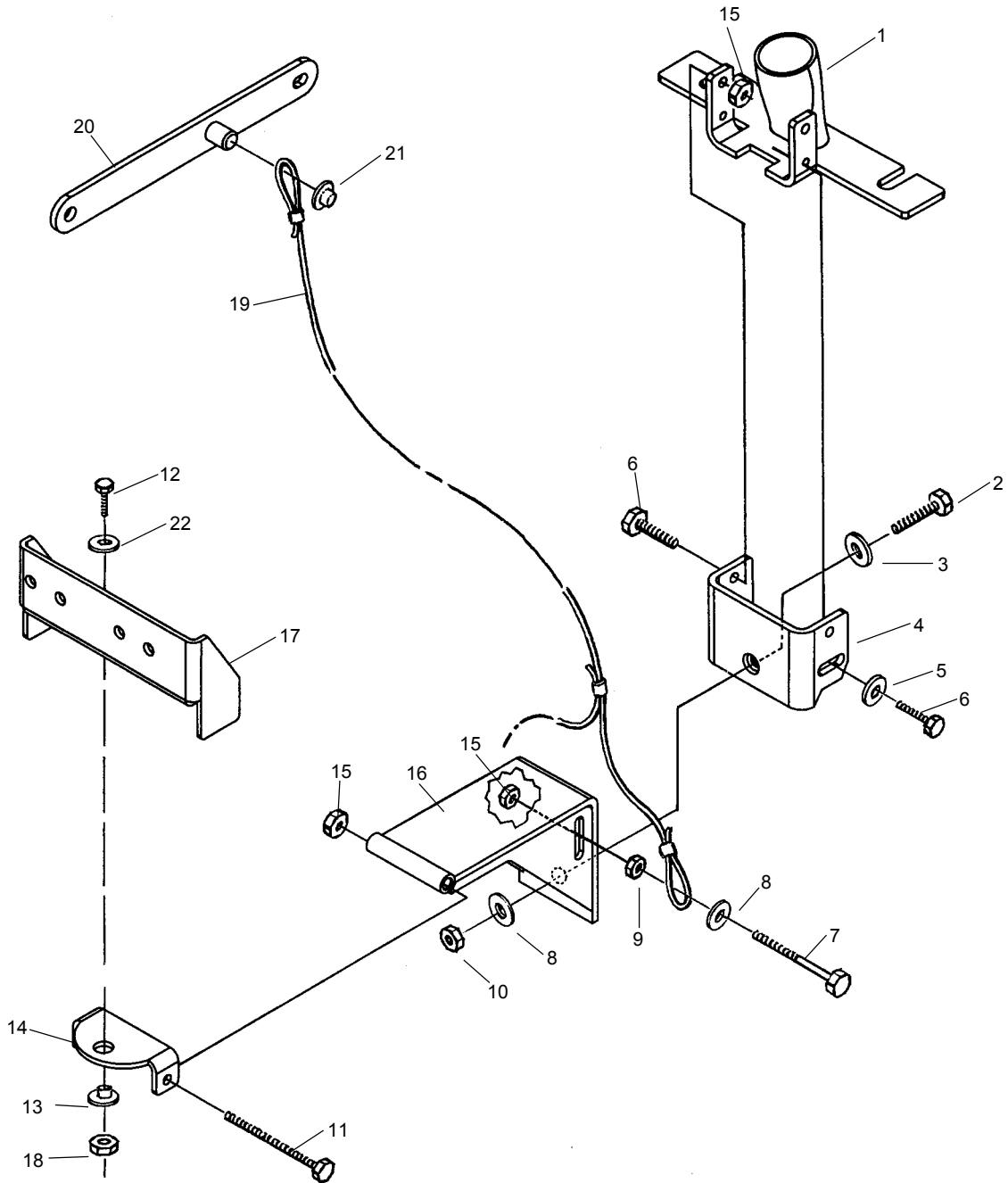
**CLARKE TECHNOLOGY Encore S2426/L2426
Control Panel Assembly Parts List 8/00**

Ref. #	Part No.	Description	Qty "L"	Qty "S"
1	55413A	Key (included w/Item 3)	Ref	Ref
2	84237A	Screw, 10-32 x 1/2	2	2
3	47380A	Switch, Key	1	1
4	60334A	Panel, Key Switch	1	1
5	80108A	Screw, 10-24 x 1/2 SS Black Xylan	8	8
6	87052A	Washer, Switch	1	1
7	962262	Screw, Set 8-32 x 1/2 (included in item 29)	4	2
8	50962A	Traverse, Control Knob	1	-
9	85703A	Screw, 10-00 x 1/2 PN	1	1
10	962957	Screw, 10-16	2	-
11	40135A	Harness, Potentiometer Assembly.	1	-
12	60259A	Bracket, Traverse Switch	1	-
13	980666	Washer, 3/8 Starlock	1	-
14	40158A	Switch, Reverse	1	-
15	980603	Washer	4	2
16	920224	Nut, 10-32 Hex	4	2
17	30062A	Control Handle	1	-
	30072A	Control Handle	-	1
18	85391A	Screw, 1/4-20 x 1/2 SS	Ref	Ref
19	87026A	Washer, 1/4 SS	Ref	Ref
20	44308B	Control, Solution	1	1
21	41422A	Breaker, Circuit 25 Amp Traverse	1	-
22	41433A	Breaker, Circuit 40 Amp Brush	2	2
23	41448A	Breaker, Circuit 30 Amp Vac	1	1
24	41423A	Breaker, Circuit 5 Amp Actuator	1	1
25	70186A	Label, Control "L"	1	-
	70187A	Label, control "S"	-	1
26	60258A	Panel, Control, Metal	1	1
27	40217B	Meter, Battery	1	1
28	40168A	Switch, Brush Adjustment	1	1
29	55502A	Knob	1	1
30	51057A	Meter, Brush	1	1
31	962330	Screw, 6-32 x 3/8	4	4
32	980608	Washer	4	4
33	30056A	Housing, Switch & Lever	2	2
34	30055A	Lever, Switch	2	2
35	50961A	Spring, Switch	4	4
36	40126A	Switch, Forward/Reverse	2	2
37	80104A	Screw, 10-32 x 1/2 SS Black Xylan	4	4
38	70219A	Label, Key Switch	1	1
39	34264A	Gasket, Panel	1	1
40	30096A	Gasket, Switch	1	1
NI	47708A	1/4 F.I.M.Q.D.	4	2
NI	47712A	1/4 F.I.F.Q.D.	1	0
NI	912226	Meter, Hour (Optional)		

IVIE Enterprises

www.ivie-ent.com Ph:(918)254-5161 or (888)262-5161 Fax:(918)250-4807

CLARKE TECHNOLOGY Encore S2426/L2426
Squeegee Lift Assembly Drawing 6/00
Drawing # 10075A



IVIE Enterprises

www.ivie-ent.com

Ph:(918)254-5161 or (888)262-5161 Fax:(918)250-4807

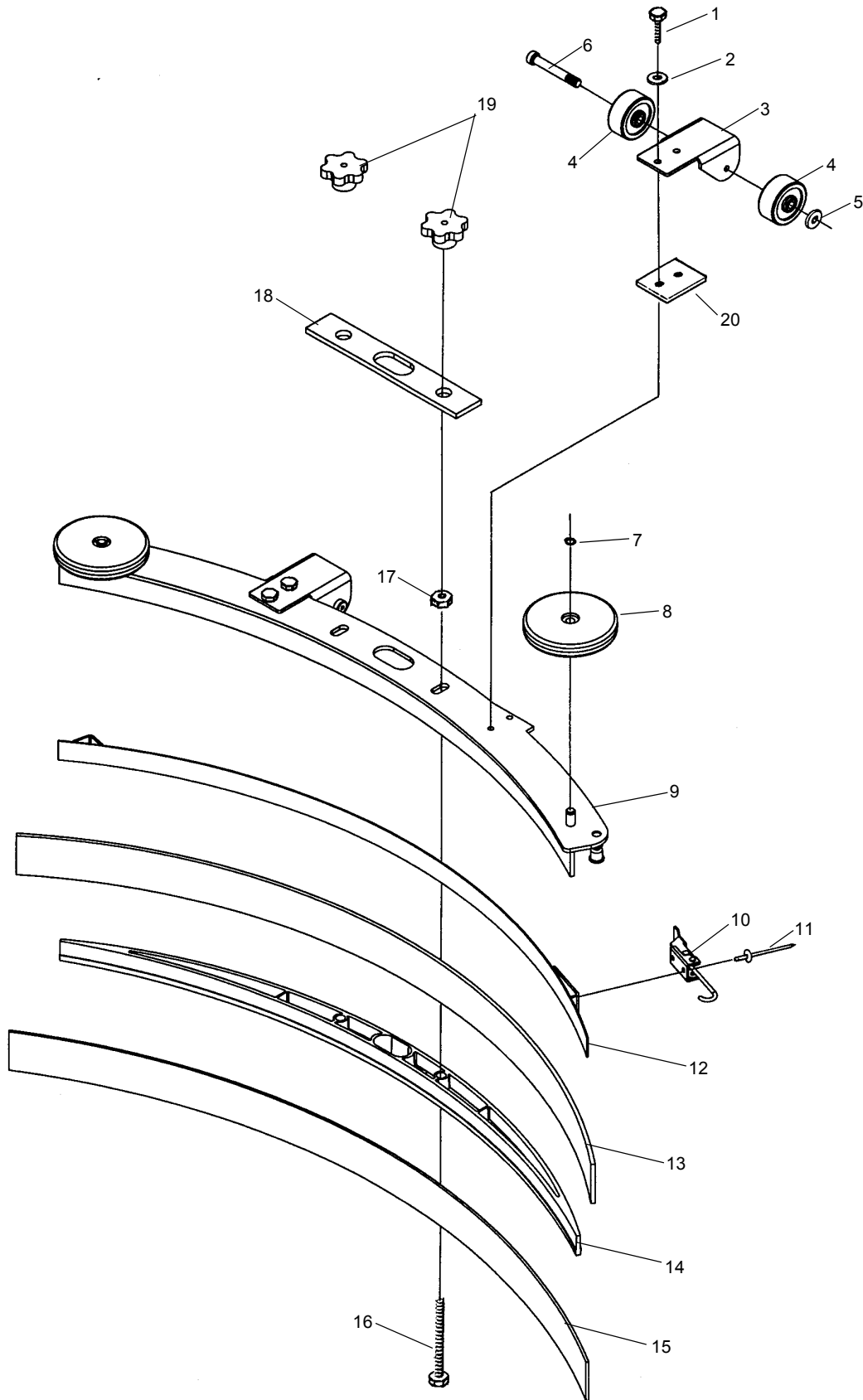
**CLARKE TECHNOLOGY Encore S2426/L2426
Squeegee Lift Assembly Parts List 6/00**

Ref. #	Part No.	Description	Qty
1	61263A	Bracket Tube	1
2	85730A	Screw, 3/8-16 x 1¼, Hex SS	1
3	980638	Lockwasher, 3/8 LT Spring Type	1
4	69860B	Bracket, Pin	1
5	87026A	Washer, ¼ SS	2
6	170915	Screw, ¼-20 x ¾	4
7	962481	Screw, ¼-20 x 1¼ Hex	2
8	87031A	Washer, 3/8 Flat	3
9	920208	Nut, ¼-20	2
10	81111A	Nut, 3/8-16 ESNA	1
11	80101A	Screw, ¼-20 x 3¼ SS	1
12	85811A	Screw, 5/16-18 x ¾	1
13	67867A	Nut, spacer	1
14	60256A	Squeegee, Pivot Arm	1
15	81104A	Nut, ¼ Nylock	5
16	60255A	Bracket, Squeegee	1
17	60328A	Mount, Squeegee	1
18	81112A	Nut, 5/16-18 Thin ESNA SS	1
19	Page 37	Cable, Squeegee Lift	Ref
20	Page 37	Lift Handle Assembly	Ref
21	920346	Palnut	Ref
22	980651	Washer	1

IVIE Enterprises

www.ivie-ent.com Ph:(918)254-5161 or (888)262-5161 Fax:(918)250-4807

CLARKE TECHNOLOGY Encore S2426/L2426
Squeegee Assembly Drawing 10/00
Drawing # 10068A and 10129A



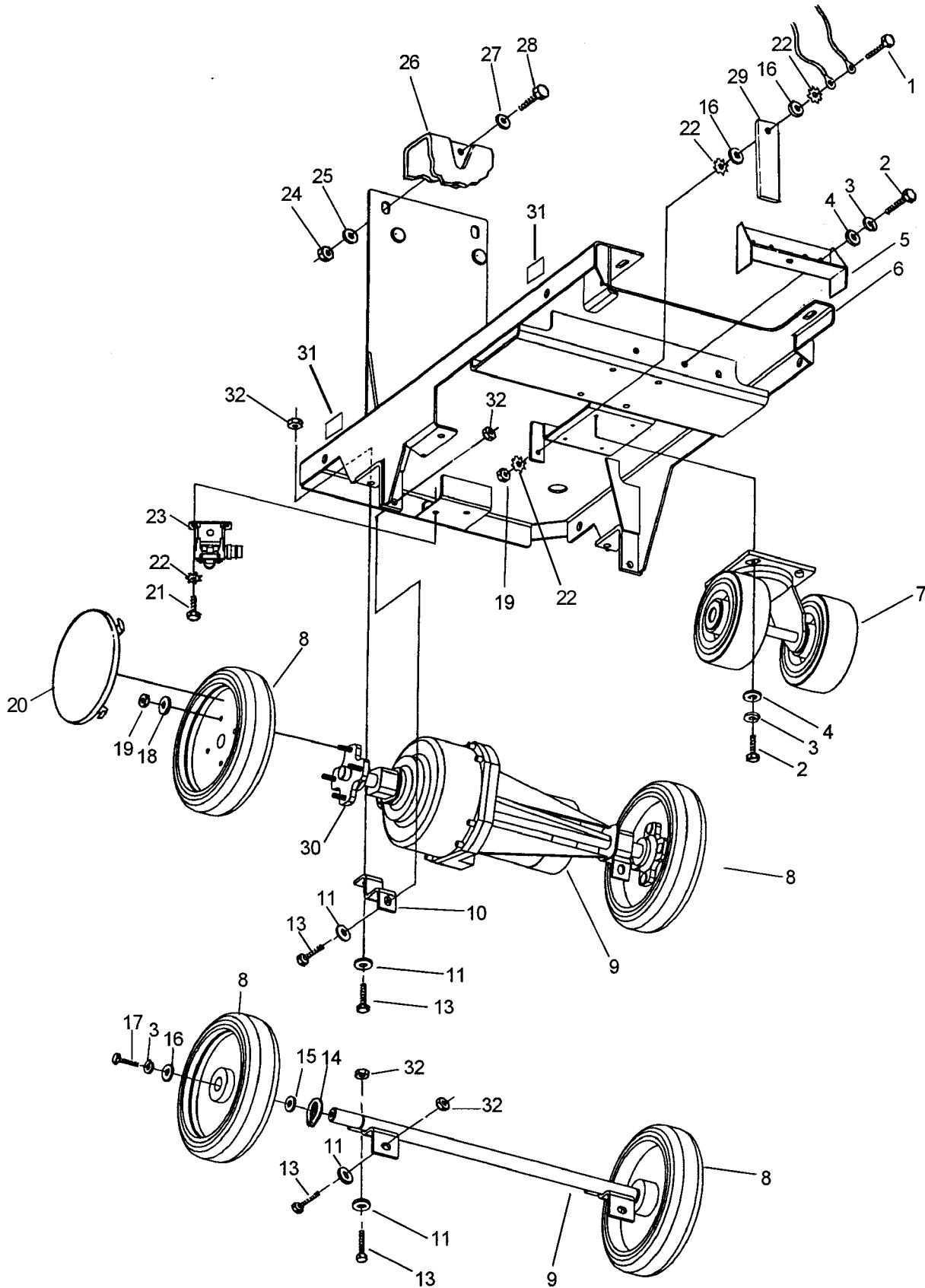
**CLARKE TECHNOLOGY Encore S2426/L2426
Squeegee Assembly Parts List 10/00**

Ref. #	Part No.	Description	10068A	10129A
			39" Qty	32" Qty
1	962720	Screw, 1/4-20 x 1/2 Hex SS	4	4
2	980657	Washer, 1/4 Lock	4	4
3	60243A	Bracket, Squeegee Wheel	2	2
4	30049B	Wheel, Squeegee	4	4
5	81104A	Nut, 1/4-20	2	2
6	60254A	Bolt, Shoulder 5/16x 2 1/4	2	2
7	50958A	Ring, 3/8 ID Snap	2	2
8	30048A	Wheel, Guide, 4 Inch Diameter	2	2
9	60272A	Channel, Squeegee Weldment 39"	1	-
	60234A	Channel, Squeegee Weldment 32"	-	1
10	50835A	Latch, Squeegee Clamp	1	1
11	930086	Rivet, 3/16 x .450 Aluminum	2	2
12	60252A	Strap, Clamp, Squeegee Retainer 39"	1	-
	60232A	Strap, Clamp, Squeegee Retainer 32"	-	1
13	30069A	Blade, Rear, Gum Rubber, 39"	1	-
	30067A	Blade, Rear, Gum Rubber, 32"	-	1
14	30058A	Spacer, Squeegee 39"	1	-
	30047A	Spacer, Squeegee 32"	-	1
15	30091A	Blade, Front Ribbed 39"	1	-
	30066A	Blade, Front Ribbed 32"	-	1
16	80011A	Screw, 3/8-16 x 3	2	2
17	81301A	Nut, 3/8-16 Jam SS	2	2
18	34260B	Gasket	1	1
19	25201A	Knob	2	2
20	60358A	Shim, Squeegee Wheel	2	2

IVIE Enterprises

www.ivie-ent.com Ph:(918)254-5161 or (888)262-5161 Fax:(918)250-4807

CLARKE TECHNOLOGY Encore S2426/L2426
 Frame Axle Assembly Drawing 11/23/00
 Drawing #10069A and 10070A



IVIE Enterprises

www.ivie-ent.com

Ph:(918)254-5161 or (888)262-5161 Fax:(918)250-4807

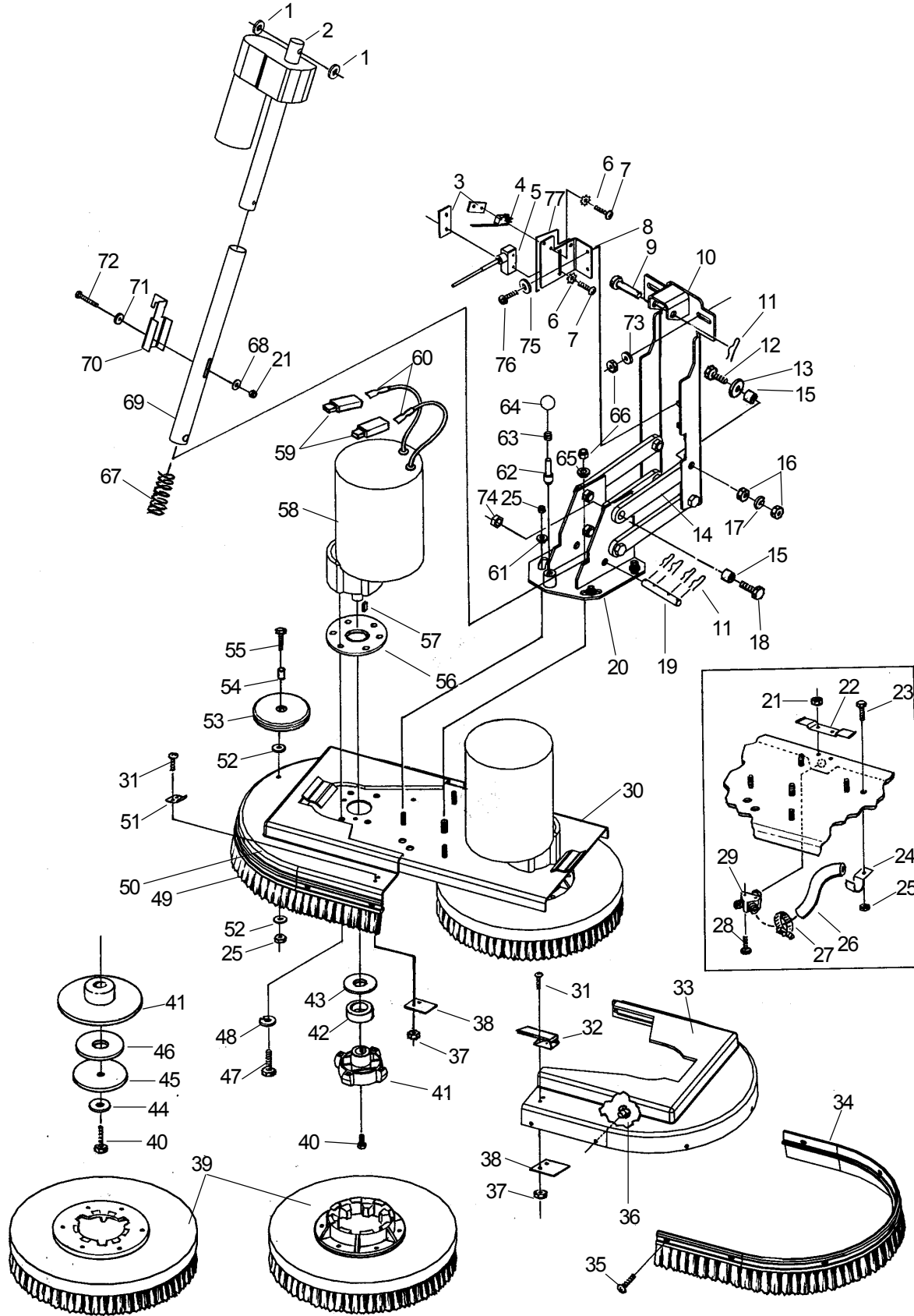
CLARKE TECHNOLOGY
Encore S2426/L2426
Frame Axle Assembly Parts List 11/23/00

Ref. #	Part No.	Description		
			Traverse	Non-Traverse
			Qty	Qty
1	85700A	Screw, 1/4-20 x 1	1	-
2	85811A	Screw, 5/16-18 x 3/4	6	6
3	980652	Washer, 5/16 Lock	6	8
4	980651	Washer, flat 5/16	6	6
5	60328A	Squeegee Mount	Ref	Ref
6	60260B	Frame Assembly	1	1
7	50968A	Caster, Assembly	1	1
8	30071A	Wheel Assembly	2	-
	69205A	Wheel, Non Traverse	-	2
9	50967A	Transaxle w/mounting hubs	1	-
	60266A	Non-Traverse Axle Assembly	-	1
10	60289A	Mount, Transaxle	2	-
11	87031A	Washer, flat 3/8 SS	4	4
12	170883	Washer, 3/8 Lock	4	4
13	80103A	Screw, 3/8-24 x 1 Hex SS	4	4
14	57423A	Ring, Snap Retainer	-	2
15	87616A	Washer, Nylon	-	2
16	980205	Washer, 5/16 Fender	2	2
17	962620	Screw, 5/16-24 x 3/4	-	2
18	87026A	Washer, Flat, 1/4 SS	8	-
19	81217A	Nut, 1/4-20 SS Thin	9	-
20	34711B	Wheel Cover	2	2
21	85395A	Screw, 1/4-20 x 1/2 SS	2	2
22	980614	Washer, 1/4 Starlock	5	2
23	59789A	Valve Solution	Ref	Ref
24	81105A	Nut, 3/8-16 ESNA	Ref	Ref
25	87031A	Washer, Flat 3/8 SS	Ref	Ref
26	Ref	Solution Tank	Ref	Ref
27	980205	Washer, 5/16	Ref	Ref
28	85734A	Screw, 3/8-16 x 2	Ref	Ref
29	69639A	Strap, Static	1	-
30	10135A	Hub, Transaxle (includes #9)		
31	77267A	Label, Tie Down	4	4
32	81108A	Nut, 3/8-24 ESNA	4	4

IVIE Enterprises

www.ivie-ent.com Ph:(918)254-5161 or (888)262-5161 Fax:(918)250-4807

CLARKE TECHNOLOGY
Encore S2426/L2426
Brush Head Assembly Drawing 8/00
Drawing #10071A and 10061A



IVIE Enterprises

www.ivie-ent.com

Ph:(918)254-5161 or (888)262-5161 Fax:(918)250-4807

CLARKE TECHNOLOGY
Encore S2426/L2426
Brush Head Assembly Parts List 8/00
Drawing #10071A and #10061A

Ref. #	Part No.	Description	Qty	
			L	S
1	38708A	Washer, Spacer Nylon	2	2
2	50950A	Actuator	1	1
3	60265A	Plate, Nut	2	2
4	47374A	Switch, Lever	1	1
5	47422B	Switch, Whisker	1	1
6	980608	Washer, #6	4	4
7	962980	Screw, 6-32 x 1	4	4
8	60251A	Mount, Switch	1	1
9	82501A	Pin	1	1
10	60236A	Bracket, Brush Head	1	1
11	766780	Pin, Hair	5	5
12	85838A	Screw, 1/2 x 20 x 1 1/2	4	4
13	980673	Washer	4*	4*
14	63058A	Bar, Linkage	4	4
15	67705B	Bearing, Sleeve	8	8
16	920278	Nut, 1/2-20 SS	8	8
17	980626	Washer, 1/2 Lock	4	4
18	80100A	Screw, 1/2-20 x 1 Hex Head	4	4
19	80091A	Pin, Brush Lift	1	1
20	60239A	Mount, Brush Head	1	1
21	81217A	Nut, 1/4-20 ESNA .218 Height	3	3
22	60335A	Bracket, Brush Housing	1	1
23	170915	Screw, 1/4-20 x 3/4 SS	2	2
24	782002	Clamp, Hose	2	2
25	81104A	Nut, 1/4-20 ESNA	7	7
26	34705A	Hose, Solution	2	2
27	722030	Clamp, Hose	2	2
28	962989	Screw, 1/4-20 x 1 1/2	2	2
29	38014A	Solution Splitter	Ref	Ref
30	60235A	Plate, Brush Head	1	1
31	962992	Screw, 8-32 x 5/8 SS	4	4
32	55721A	Latch, Brush Housing	1	1
33	30053A	Housing, Left Brush	1	1
34	30051A	Skirt, Left	1	1
35	85616A	Screw, 10-32 x 5/8 SS	12	12
36	82004A	Nut, "T" 10-32	12	12
37	81109A	Nut, 8-32 SS ESNA	4	4
38	60337A	Plate, Latch Brush	2	2
39	Page 24	Brush/Pad Assemblies		

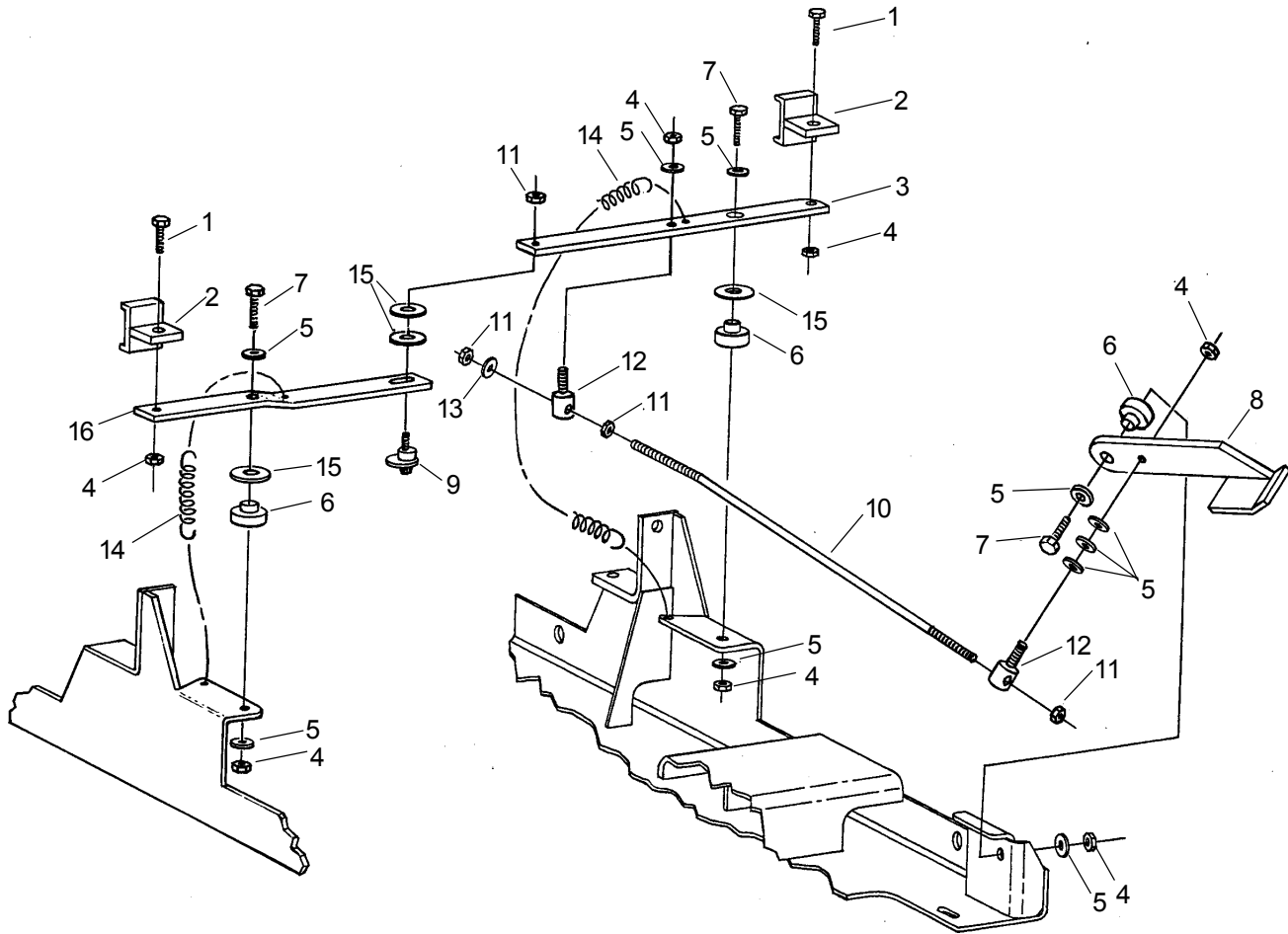
Ref.#	Part No.	Description	Qty	
			L	S
40	962714	Screw, 5/16-18 x 3/4 Soc.	2	-
	85811A	Screw, 5/16-18 x 3/4 Hex	-	2
41	34400B	Gimbal Male	2	-
	20308A	Motor, Adapter	-	2
42	61658A	Gimbal, Collar	2	-
43	59856A	Washer, Rubber	2	-
44	980652	Washer, 5/16 Lock	-	2
45	980210	Washer, Impeller	-	2
46	980679	Washer, Spacer	-	2
47	962244	Screw, 3/8-16 x 3/4	8	8
48	980638	Washer, Lock 3/8	8	8
49	30052A	Skirt, Right	1	1
50	30054A	Housing, Right Brush	1	1
51	55451A	Keeper	1	1
52	87039A	Washer, 1/4	2	2
53	30048A	Wheel, Guide	1	1
54	60248A	Sleeve Guide Wheel	1	1
55	85301A	Screw, 1/4-20 x 1 1/4	1	1
56	20014A	Spacer, Brush Tilt	-	2
57	915102	Key (included w/Item 58)	2	2
58	44809B	Motor, Brush	2	2
59	41602A	Housing	4	4
60	41601A	Connector	4	4
61	60240A	Bushing, Swivel Adj., 1/4	4	4
62	50839A	Pin, Plunger	1	1
63	50956A	Spring, Plunger	1	1
64	50957A	Knob	1	1
65	60241A	Bushing, Swivel, 3/8	1	1
66	81105A	Nut, 3/8-16 SS ESNA	1	1
67	53422A	Spring, Head Pressure	1	1
68	87007A	Washer, Flat, 1/4"	1	1
69	60238A	Tube, Head Pressure	1	1
70	60249A	Switch, Actuator	1	1
71	80102A	Washer, 1/4	1	1
72	85702A	Screw, 1/4-20 x 1 3/4	1	1
73	87031A	Washer, 3/8 Flat	Ref	Ref
74	80109A	Nut, 1/2-20 Jam S.S.	4	4
75	980603	Washer, #10	2	2
76	80108A	Screw, 10-24 x 1/2	2	2
77	30092A	Insulator, Mylar	1	1
NI	77091A	Label, Moving Parts	2	2

* Used only as required to square up linkage bar #14 to the frame.

IVIE Enterprises

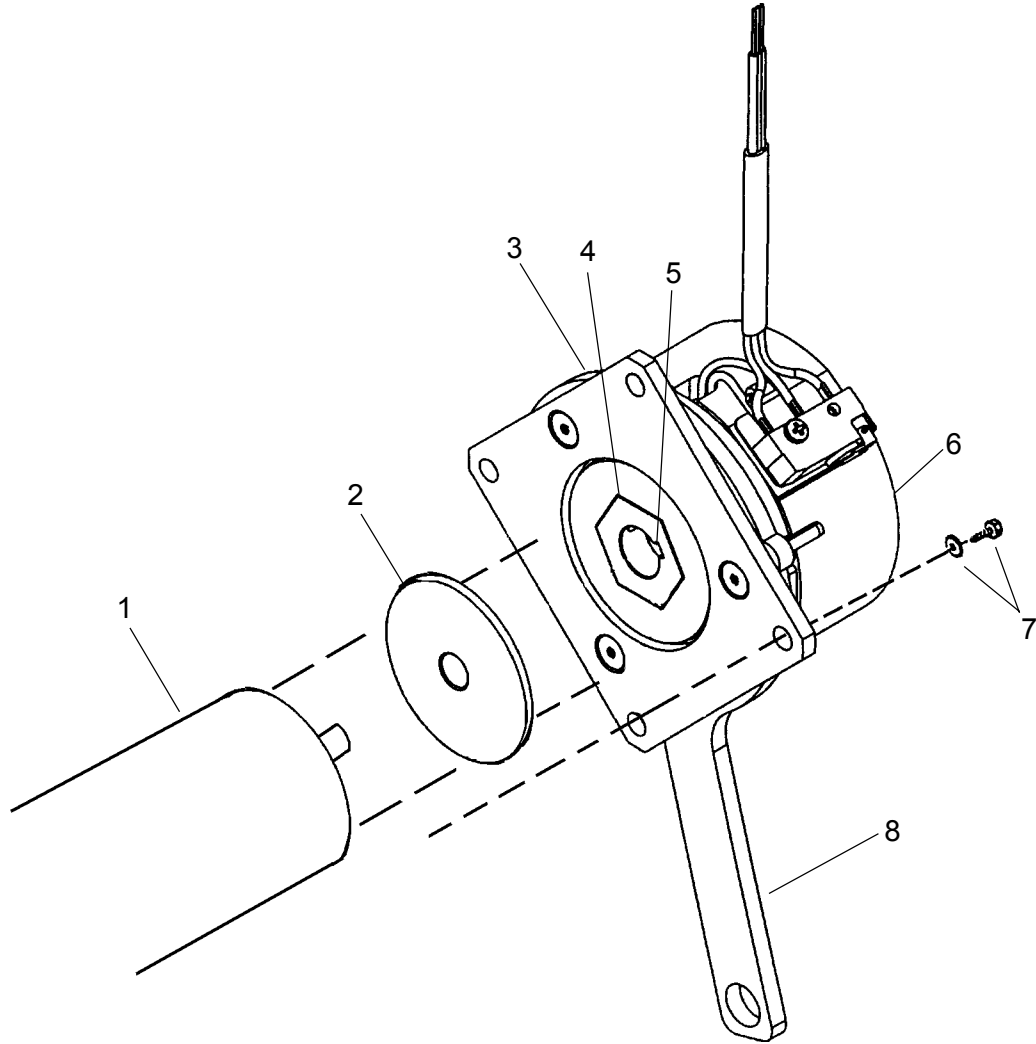
www.ivie-ent.com Ph:(918)254-5161 or (888)262-5161 Fax:(918)250-4807

CLARKE TECHNOLOGY
Encore S2426/L2426
Optional Brake Drawing and Parts List 11/23/00
10073A - "S" Model



Ref. #	Part No.	Description	Qty
1	85811A	Screw, 5/16-18 x 3/4	2
2	60359A	Pad, Brake	2
3	60271A	Brake, Bar L.H.	1
4	920110	Nut, 5/16-18 ESNA	6
5	980651	Washer, Flat, 5/16	10
6	67877A	Spacer	3
7	85814A	Screw, 5/16-18 x 1 1/4	3
8	60268A	Lever, Brake Pedal	1
9	60361A	Cam, Brake	1
10	60267A	Rod, Brake	1
11	81104A	Nut, 1/4-20 ESNA	4
12	848508	Swivel, Rod, Brake	2
13	87026A	Washer, Flat, 1/4	1
14	50969A	Spring, Brake Asm.	2
15	87607A	Washer, Flat Nylon	4
16	60362A	Brake, Bar R.H.	1
NI	77266B	Label, Parking Brake	1

CLARKETECHNOLOGY
Encore S2426/L2426
Optional Brake Drawing and Parts List 5/01
10072A - "L" Model



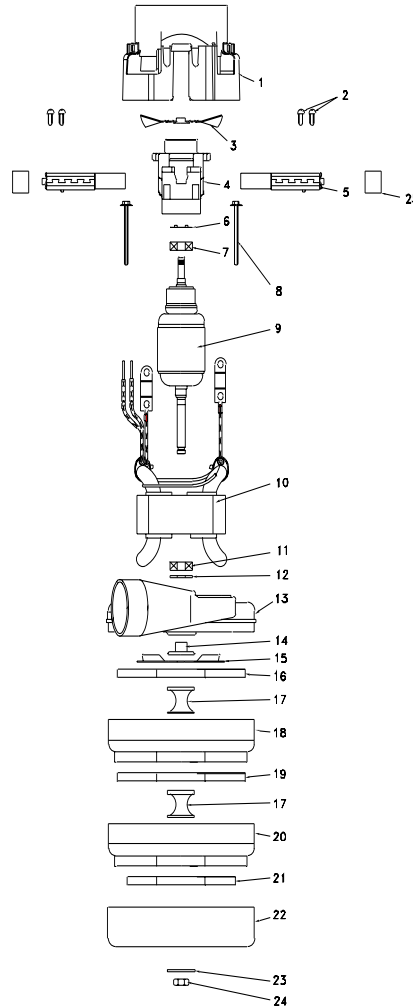
Ref #	Part No.	Description	Qty
1	50981A		
2	60388A	Spacer	1
3	30095A	Tie, Cover Retainer	1
4	80123A	Nut, Brake Drive	1
5	80125A	Key, 3/32 Sq. x 1/4 Lg.	1
6	30094A	Cover, Vinyl	1
7	80124A	Screw Set (Brake Nut to Motor Shaft)	2
8	10160A	Brake, Asm. 24V	1

NOTE: Only use spacer (ref. #2) on transaxles that have a circular step and mounting nuts protruding from end of motor. The motor that uses the spacer can be identified by the motor brush caps protruding past the outside diameter of the motor.

IVIE Enterprises

www.ivie-ent.com Ph:(918)254-5161 or (888)262-5161 Fax:(918)250-4807

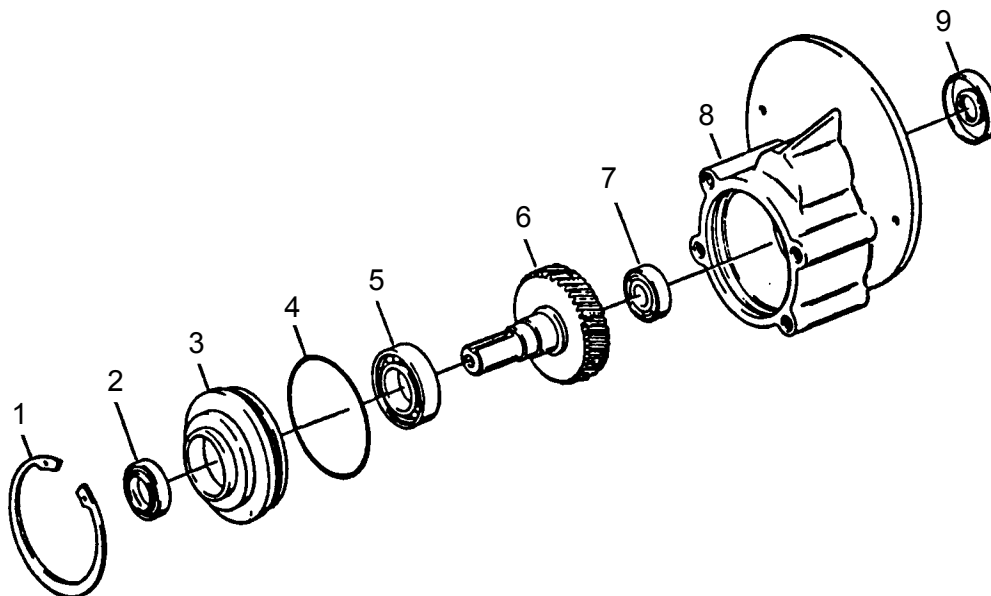
CLARKE TECHNOLOGY
Encore S2426/L2426
Vacuum Motor Drawing and Parts List
Drawing 5/00



PARTS LIST			
DESCRIPTION	REQUIRED	ALTO S1049A	ALTO S1050A
1. HOUSING	1	50994A	50994A
2. SCREW	4	*	*
3. FAN	1	50995A	50995A
4. COMM END BRACKET	1	*	*
5. BRUSH MECHANISM	2	50996A	50996A
6. LOAD SPRING	1	*	*
7. BALL BEARING	1	*	*
8. SCREW	2	*	*
9. ARMATURE	1	*	*
10. FIELD	1	*	*
11. BALL BEARING	1	*	*
12. NEOPRENE WASHER	1	59803A	59803A
13. FAN END BRACKET	1	*	*
14. SPACER	1	*	*
15. FAN	1	50997A	50997A
16. ROTATING FAN	1	53914A	53914A
17. SPACER	2	50999A	50999A
18. STATIONARY FAN	1	51403A	51403A
19. ROTATING FAN	1	51404A	51404A
20. STATIONARY FAN	1	51405A	NA
21. ROTATING FAN	1	50998A	NA
22. FAN SHELL	1	51046A	51407A
23. WASHER	1	*	*
24. NUT	1	*	*
25. INSULATOR BRUSH CAP	2	51048A	51048A

1. THIS INFORMATION IS FOR PART IDENTITY ONLY, IT IS NOT TO BE USED AS DISASSEMBLY OR ASSEMBLY INSTRUCTIONS.
2. REPLACEMENT OF ARMATURE OR FIELD REQUIRES THE REPLACEMENT OF BRUSH MECHANISMS.

CLARKETECHNOLOGY
Encore S2426/L2426
Gearbox Assembly Drawing and Parts List 5/00
Form#54238A

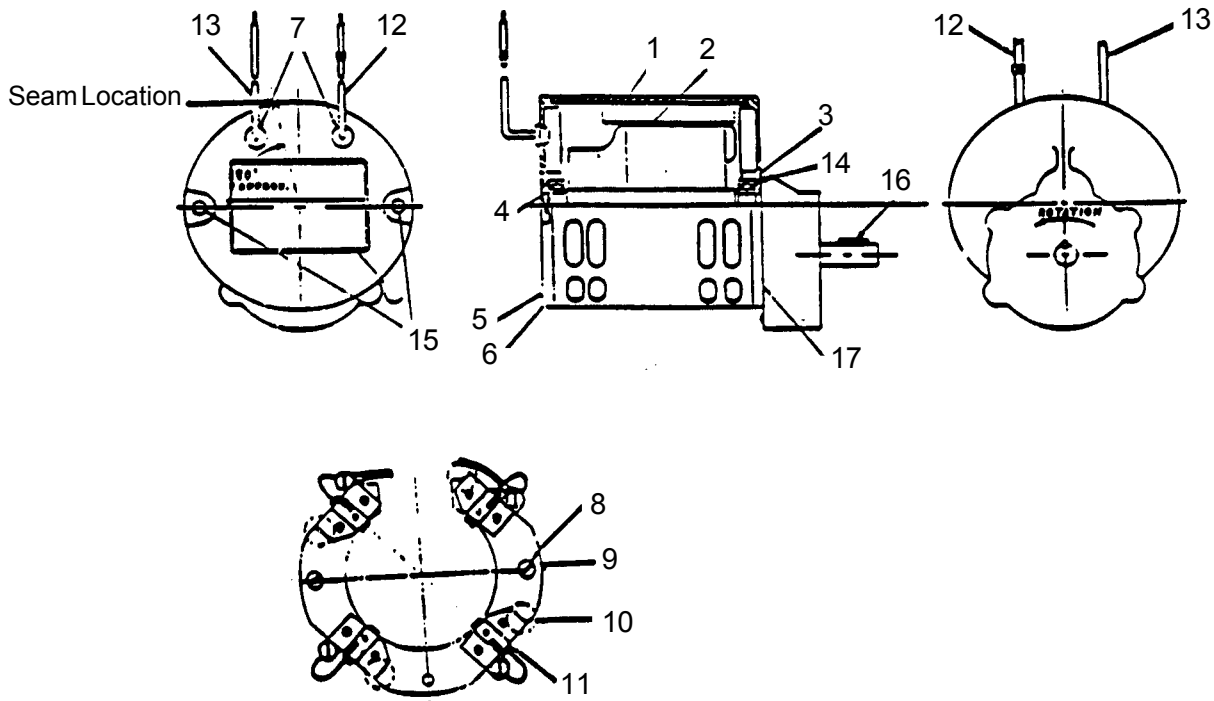


Ref #	Part No.	Description	Qty
1	57846A	Ring, Snap	1
2	507641	Seal, Oil, Small	1
3	52050A	Cap End	1
4	56668A	O-Ring	1
5	51176a	Bearing, Large	1
6	58316A	Shaft & Gear	1
7	902605	Bearing, Small	1
8	54883A	Housing	1
9	58144A	Seal, Oil Large	1
10	NI	Darina EP2 Grease	4 oz.

IVIE Enterprises

www.ivie-ent.com Ph:(918)254-5161 or (888)262-5161 Fax:(918)250-4807

CLARKE TECHNOLOGY
Encore S2426/L2426
Brush Motor Drawing & Parts List 8/00
Motor Asm. 44809B

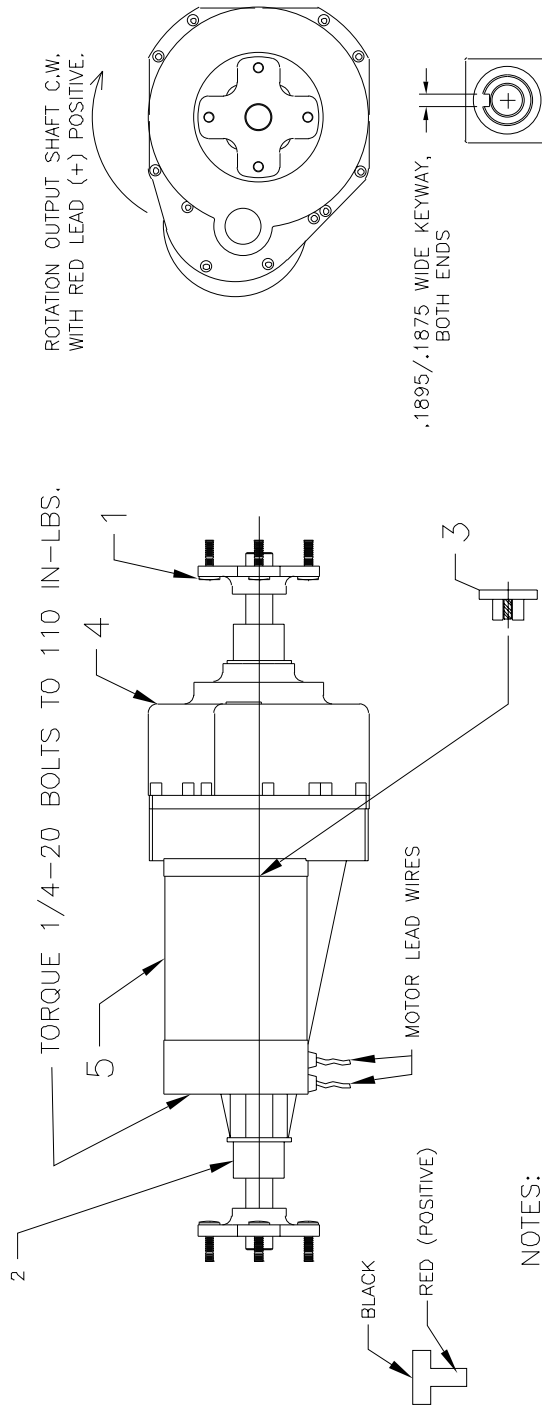


Item	Part No.	Description	Qty
1	56478A	Stator Frame Assembly (w/Magnets & Clips)	1
2	50142A	Armature Assembly (w. B.E. & F.E. Bearings)	1
3	902654	Bearings B.E.	1
4	902550	Bearing F.E.	1
* 5		Commutator Bracket Assembly (w/Brush BRD Assembly Leads)	1
6	50520A	Commutator Bracket	1
7	56480A	Strain Relief	2
8	962546	Brush Board Screw	2
9	50517A	Brush Board Assembly (w/ Springs & Brushes)	1
10	448396	Brush Spring	4
11	40826A	Brush Assembly	4
12	55657A	Lead Assembly	1
13	55656A	Lead Assembly	1
* 14		Helical Washer	1
15	50515A	Thru Bolt	2
16	80501A	Shaft Key	1
17	54238A	B.E. Bracket Assembly (Gear Box)	1

* NOTE: Parts not available at this time.

CLARKE TECHNOLOGY
Encore S2426/L2426
Transaxle Drawing 5/00

1	10135A	FLANGE WHEEL KIT	2
2	51056A	SLEEVE ELASTOMERIC	2
3	50983A	COUPLING MOTOR DRIVE	1
4	50982A	TRANSAXLE, W/O MOTOR	1
5	50981A	MOTOR	1
REF. NO.	PART NO.	DESCRIPTION	QTY.
PARTS LIST			



NOTES:

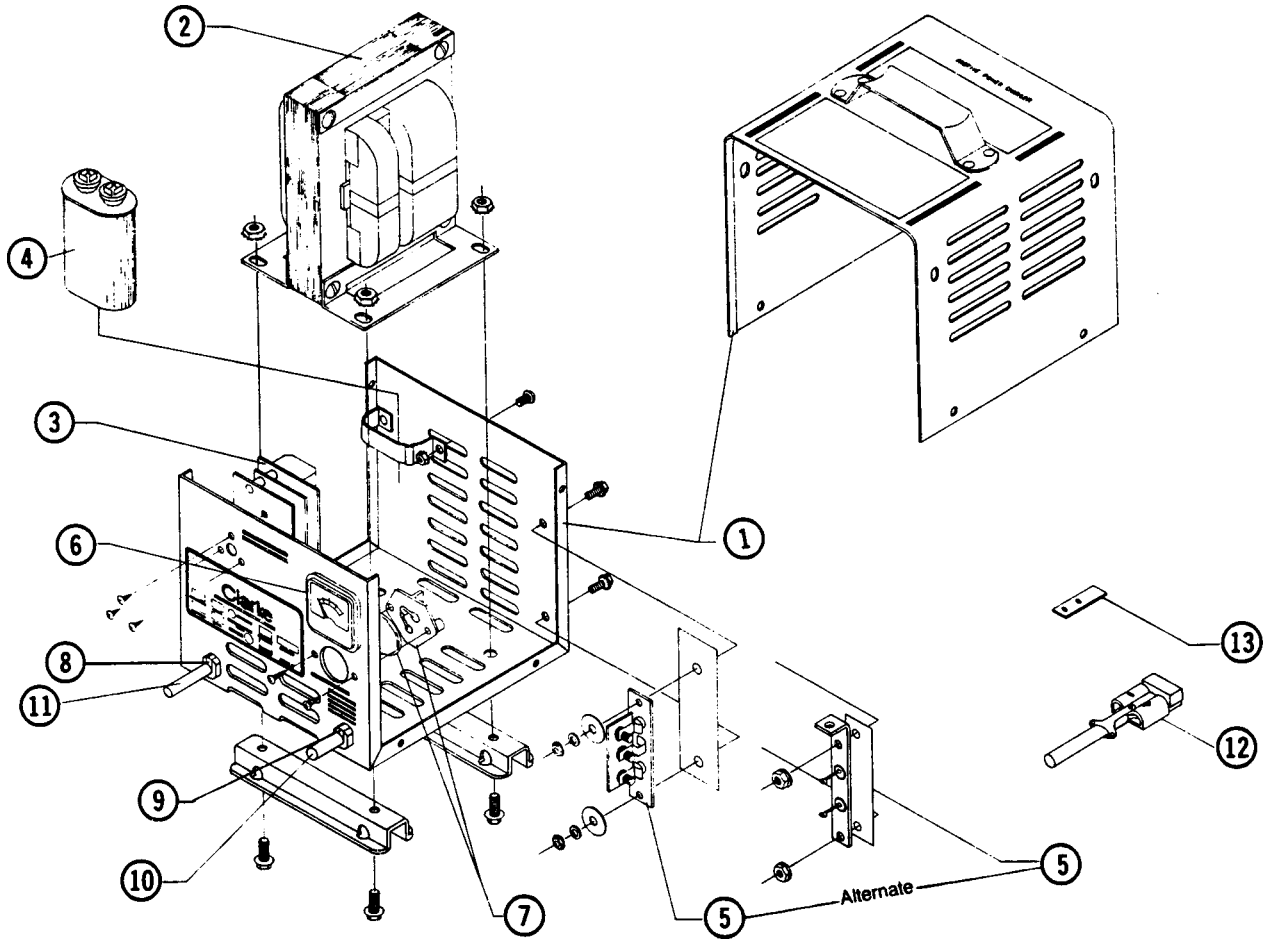
1. BALL AND NEEDLE BEARING CONSTRUCTION.
2. GEARBOX GREASE LUBRICATED AND LEAKPROOF.
3. AXLES TO BE RUST PROTECTED WITH PLATING
4. GEAR RATIO: 18:1
5. TRANSAXLE ASSEMBLY SUPPLIED WITH RUBBER MOUNT BUSHINGS INSTALLED.
6. MOTOR ASSEMBLY IS FIELD REPLACEABLE.
7. MOTOR FRAME ZINC PLATED.
8. WHEEL FLANGES & STUDS TO BE ZINC PLATED.
9. ELECTRICAL CONNECTORS - USE PACKARD HOUSING # 2984883 AND PACKARD TERMINAL # 2971859

IVIE Enterprises

www.ivie-ent.com

Ph:(918)254-5161 or (888)262-5161 Fax:(918)250-4807

CLARKE TECHNOLOGY
Encore S2426/L2426
Battery Charger Drawing and Parts List 5/00



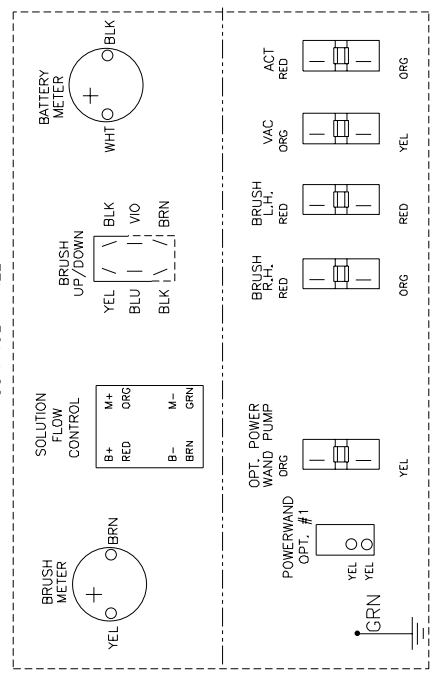
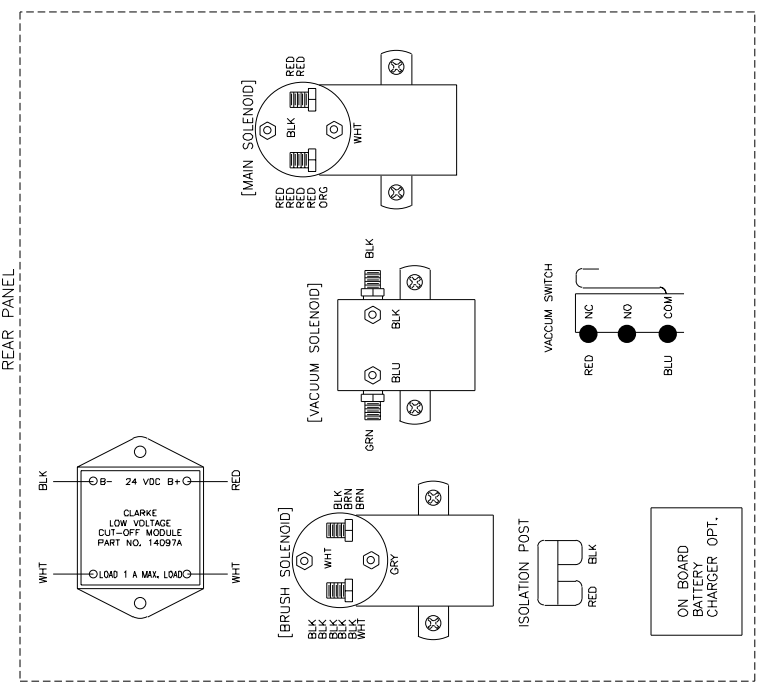
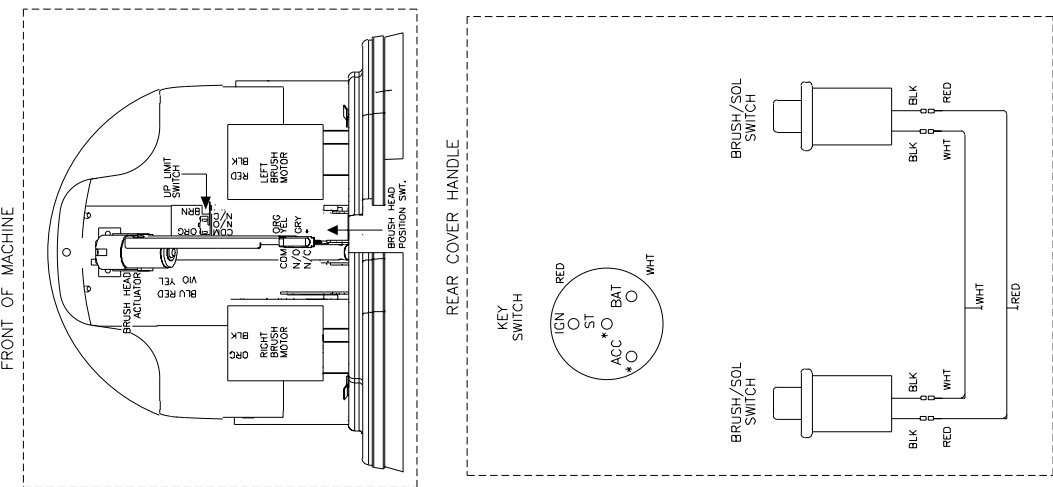
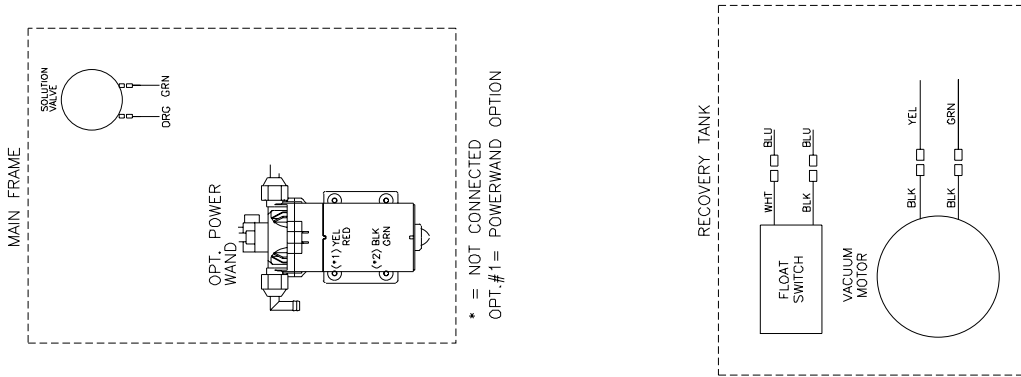
WARNING: All electrical repairs must be performed by qualified personnel only.

Charger #40512A: 24 volt, 25 amp D.C., 115 volt, A.C., 60 Hz.
Charger #40513A: 24 volt, 25 amp D.C., 230 volt, A.C., 50 Hz

Ref. No.	Description	Charger 40512A	Charger 40513A
1	Charger Case	41129A	41128A
2	Transformer	48413A	48409A
3	Electronic Controller Kit	47500A	48200A
4	Capacitor, 660 V.A.C.	912132	912132
5	Heat Sink Assembly	912212	912212
6	Ammeter	40200A	40200A
7	Fuse Holder	912382	912382
8	Strain Relief, A.C. Cord	837525	837525
9	Strain Relief, D.C. Cord	747553	747553
10	D.C. Cord Assembly	51986A	51986A
11	A.C. Cord Assembly	51974A	908947
12	Housing, Red	911470	911470
13	D.C. Plug Lock Key	795020	795020

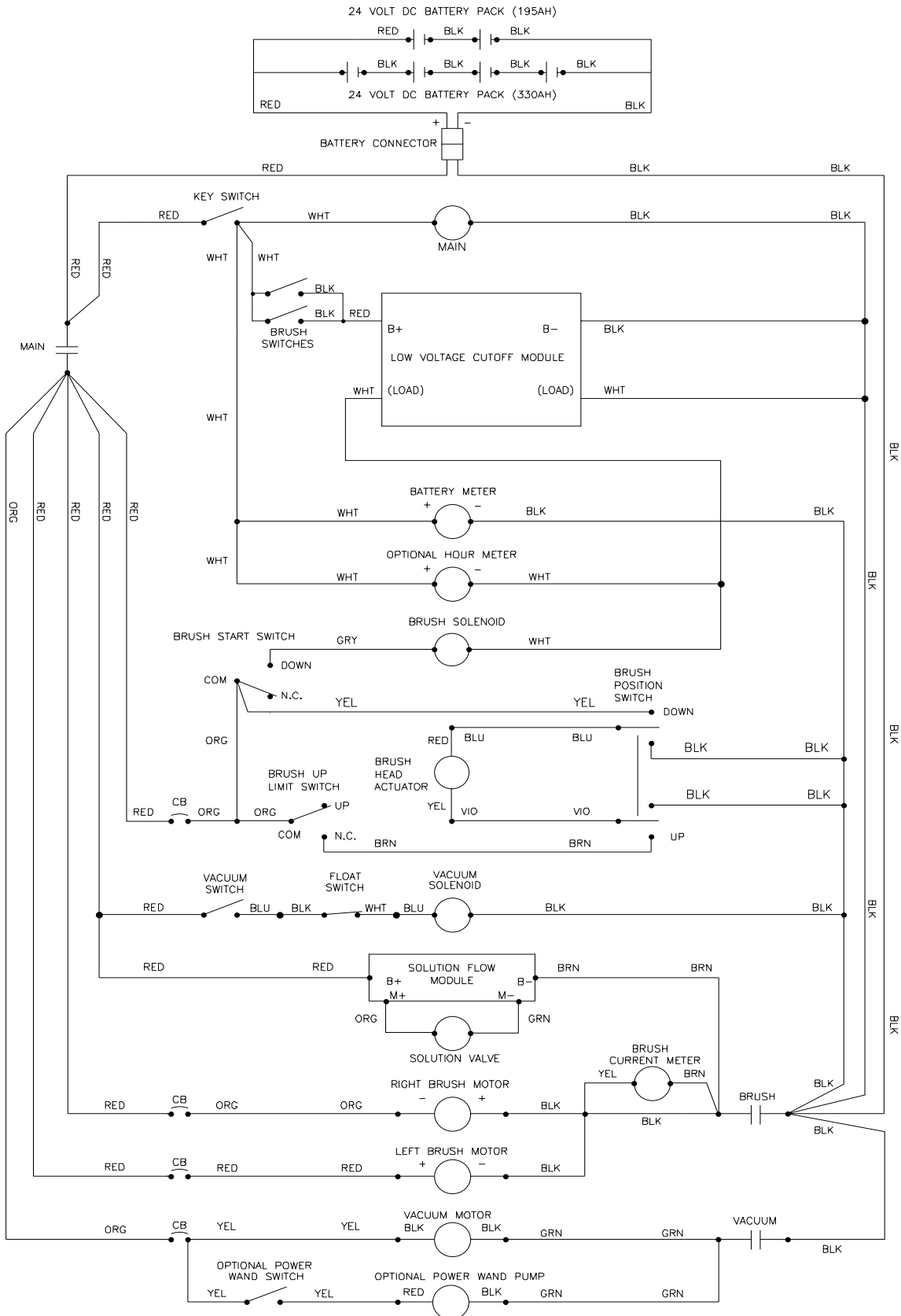
* NOTE: Parts not available at this time.

CLARKE TECHNOLOGY
Encore S2426
Connection Diagram (00932A-W) 6/00



IVIE Enterprises
www.ivie-ent.com Ph:(918)254-5161 or (888)262-5161 Fax:(918)250-4807

CLARKE TECHNOLOGY
Encore S2426
Electrical Schematic (00932A-E) 5/00



ALL BRUSH SWITCHES ARE SHOWN IN THE BRUSH HEAD UP POSITION.